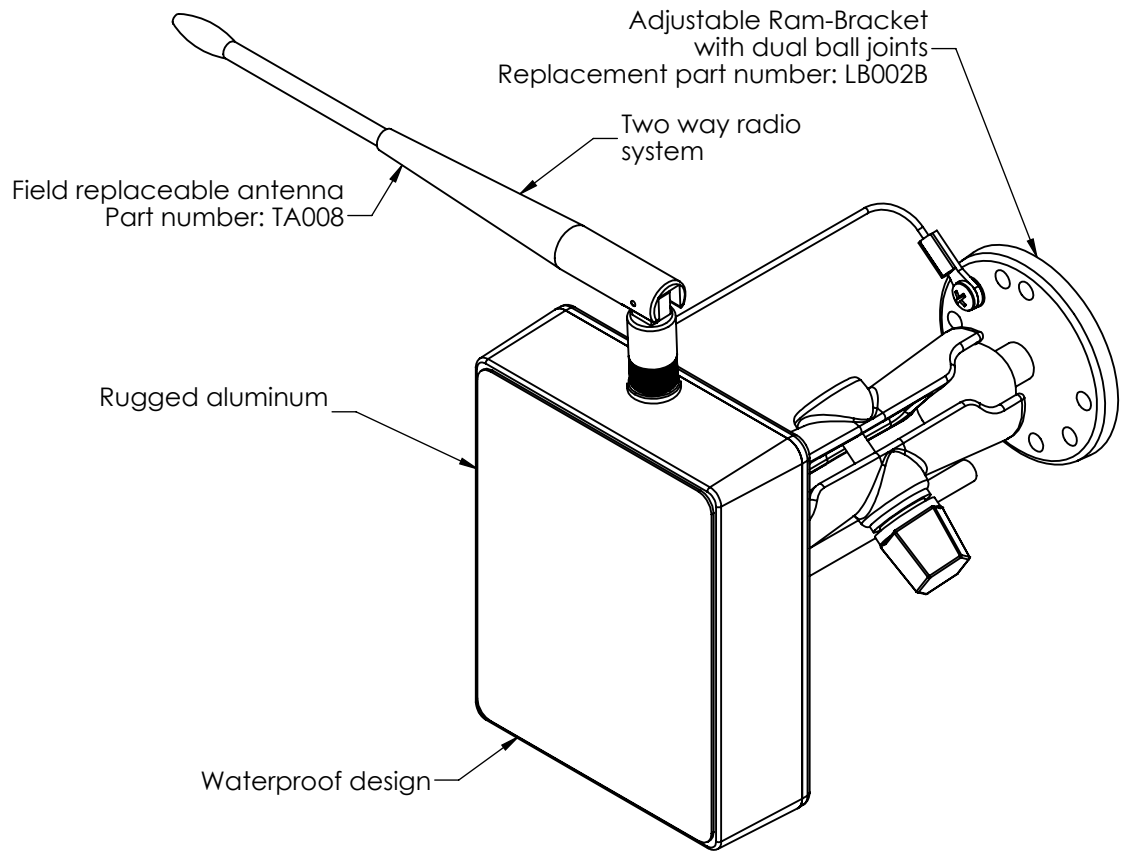


Ram Bracket Footprint.  
Only 2 screws are necessary.

All dimensions are in inches  
The information in this document is subject to change without notice



|                       |  |
|-----------------------|--|
| Power supply required | 10 to 30 VDC, 1A; plus 1A for the lockout relay when connected |
| Power supply cable    | 6 ft length  |
| Output                | One mosfet relay, 1A   |
| Operating temperature | -40 to 185 °F  |
| Radio Frequency Band  | 900 MHz  |
| Radio Power           | 15 dBm   |
| Weight                | 1 lb   |

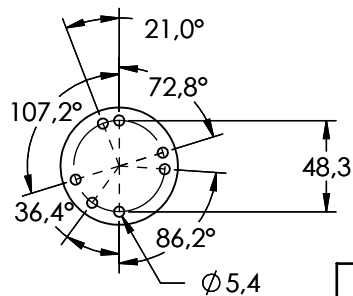
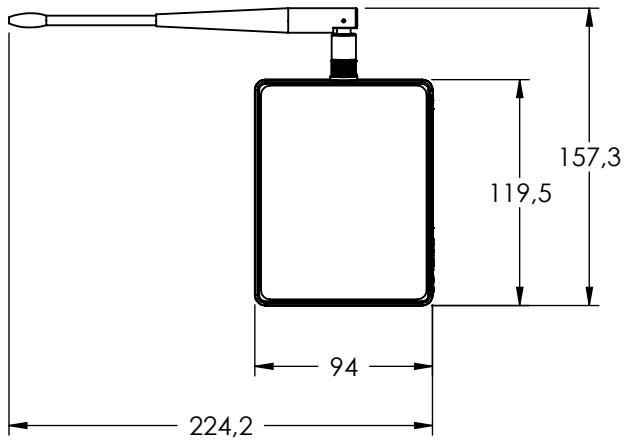
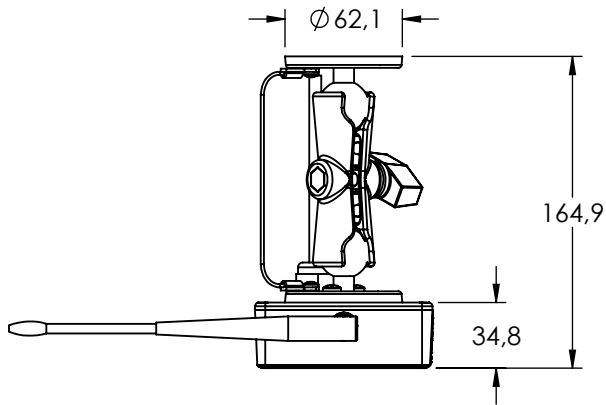
**PROPRIETARY AND CONFIDENTIAL**

THE INFORMATION CONTAINED IN THIS DRAWING IS THE SOLE PROPERTY OF LOAD SYSTEMS INTERNATIONAL. ANY REPRODUCTION IN PART OR AS A WHOLE WITHOUT THE WRITTEN PERMISSION OF LOAD SYSTEMS INTERNATIONAL IS PROHIBITED.



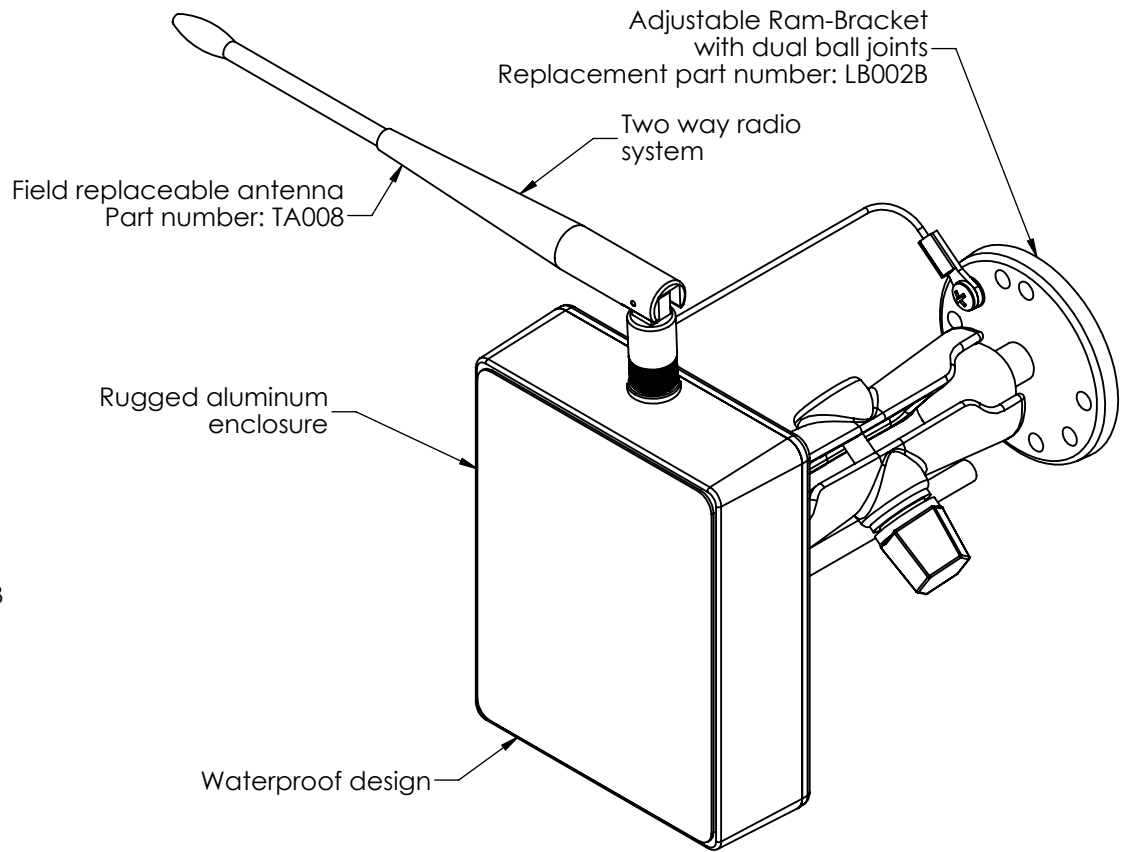
|          |       |         |          |      |
|----------|-------|---------|----------|------|
| PART NO: | GS320 | DWG NO: | DS-GS320 | REV: |
|----------|-------|---------|----------|------|

DESCRIPTION:  
**Wireless Wind Sensor Display**



Ram Bracket Footprint.  
Only 2 screws are necessary.

All dimensions are in mm  
The information in this document is subject to change without notice



|                       |  |
|-----------------------|--|
| Power supply required | 10 to 30 VDC, 1A; plus 1A for the lockout relay when connected |
| Power supply cable    | 1.8 m length   |
| Output                | One mosfet relay, 1A   |
| Operating temperature | -40 to 85°C  |
| Radio Frequency Band  | 900 MHz  |
| Radio Power           | 15 dBm   |
| Weight                | 0.5 kg   |

**PROPRIETARY AND CONFIDENTIAL**

THE INFORMATION CONTAINED IN THIS DRAWING IS THE SOLE PROPERTY OF LOAD SYSTEMS INTERNATIONAL. ANY REPRODUCTION IN PART OR AS A WHOLE WITHOUT THE WRITTEN PERMISSION OF LOAD SYSTEMS INTERNATIONAL IS PROHIBITED.



Load Systems International

www.loadsystems.com

|          |       |         |          |      |
|----------|-------|---------|----------|------|
| PART NO: | GS320 | DWG NO: | DS-GS320 | REV: |
|----------|-------|---------|----------|------|

DESCRIPTION:  
**Wireless Wind Sensor Display**